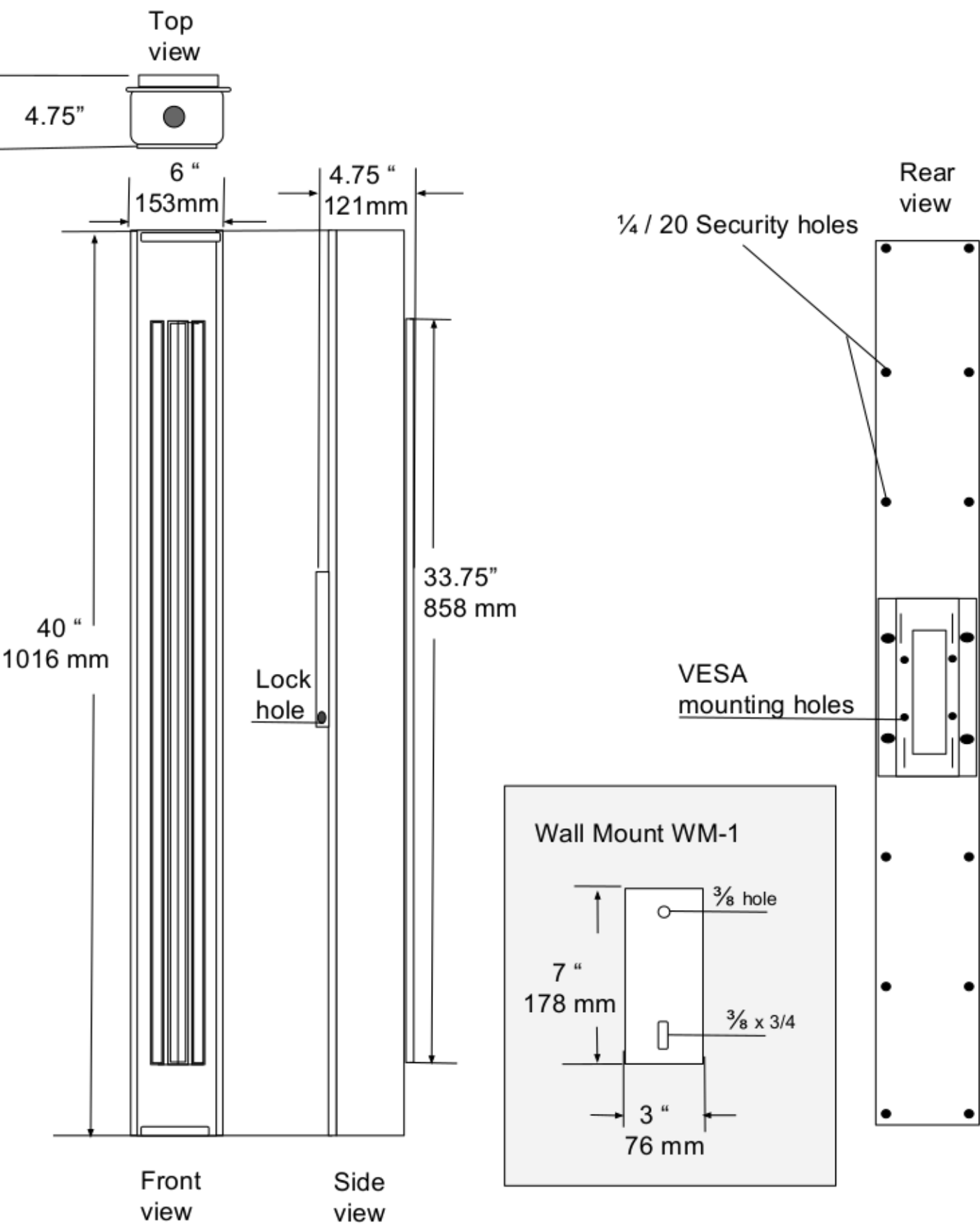


Althar ULD Transducer Specs.

(~ 40.25 " x 6.0" x 4.75", 16 Pounds)



Mounting plate may be affixed to any of the sets of security holes in the rear of the cabinet to meet differing installation requirements.

